

Operation Microscope OMS-90



An innovative concept providing optimal observation and versatile operation

*The following unique features are
incorporated in the OMS-90
Operation Microscope:*

Coaxial Illumination

Stain-proof Coated Objective Lens

Parallel Binocular Tube

PD Adjustment Knob

Built-in Yellow Filter

Compact Base

OMS-90
OPERATION MICROSCOPE

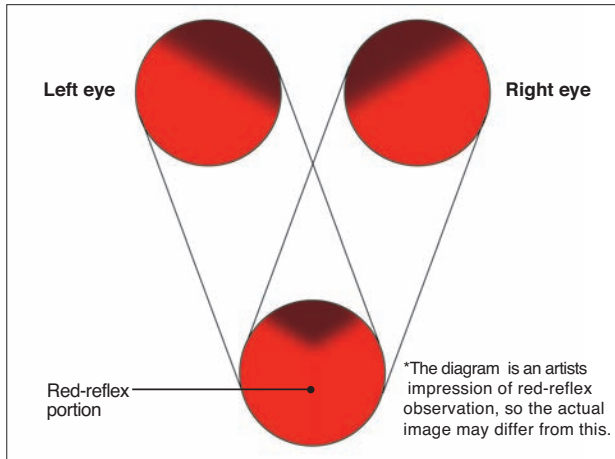
*The above photo contains
optional accessories.



• Features •

● Coaxial Illumination

The newly designed illumination system of the OMS-90 assures the finest optical performance. The optical system has been fitted with a new and innovative design that allows the surgeon to view a sharper image, with more clarity than ever before.



The illumination system of the OMS-90 produces a superior red-reflex image for assistance in surgical procedures. As shown in the diagram, the innovative system design merges two improved field of views to produce an enhanced red-reflex and unparallel image quality.

● Stain-proof Coated Objective Lens (F=200mm)

The newly developed stain-proof coating is applied to help retain a clear viewing area. The focal length (F=200mm) provides the standardized comfortable working distance.

● Parallel Binocular Tube

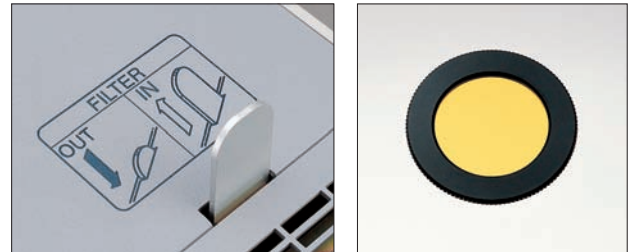
The parallel binocular tube provides a natural stereoscopic view.

● PD Adjustment Knob

The built-in PD adjustment feature offers easy alignment.

● Built-in Yellow Filter

The flip in/out yellow filter is built into the system to allow full protection against retina phototoxicity.

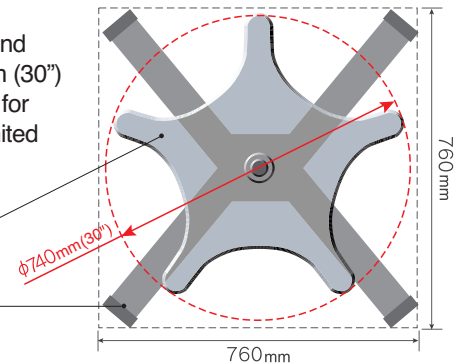


● Compact Base

The new sturdy and compact $\phi 740\text{mm}$ (30") base is designed for optimal use of limited operating room floor space.

OMS-90

Previous model



• Optional Accessories •

■ X-Y Translator

The X-Y translator adapter provides precise movement around the surgical field. A one-touch re-centering button is provided.



■ Assistant's Microscope

The parallel binocular assistant's microscope provides easy positioning, a wide field of view and 30 degrees of rotation.



■ Beam Splitter (80/20 or 50/50)

An 80/20 or a 50/50 beam splitter is available for the attachment of documentation devices.

■ Oblique Illuminator

The oblique illuminator offers a supplemental light source for indirect illumination. The slit will rotate 30 degrees and adjust from 0 to 20mm in width.



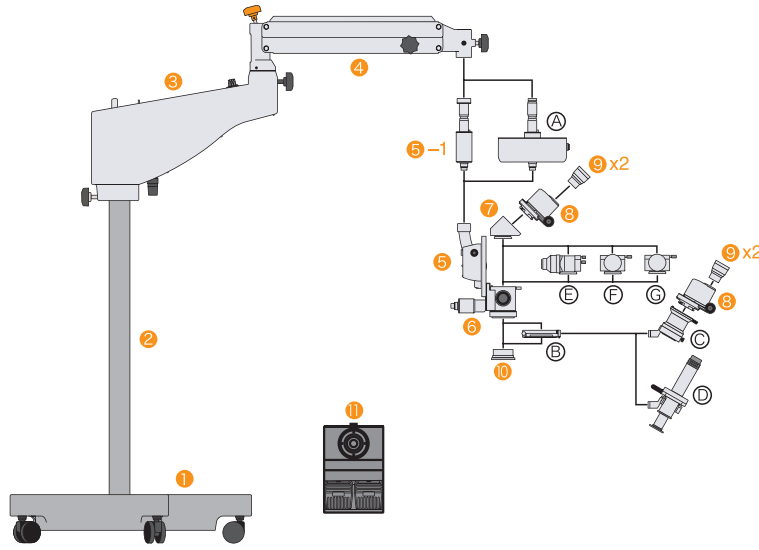
■ Accessory Adapter Model 2

The accessory adapter is required to attach the assistant's microscope and/or the oblique illuminator to the OMS-90.

■ 1/2 TV Attachment

The 1/2 TV attachment incorporates a built-in beam splitter and lets the user connect a 1/2 inch C-mount camera to the OMS-90.

System Chart



- ① ----- Base
- ② ----- Column
- ③ ----- 1st Arm
- ④ ----- 2nd Arm
- ⑤ ----- Focusing Unit
- ⑤-1 ----- Joint Arm
- ⑥ ----- Microscope Body
- ⑦ ----- 45° Inclined Adapter
- ⑧ ----- Parallel Binocular Tube
- ⑨ ----- 12.5X Eyepiece
- ⑩ ----- F=200mm Objective Lens
- ⑪ ----- Foot Switch

< Optional Accessories >

- Ⓐ ----- X-Y Translator
- Ⓑ ----- Accessory Adapter Model 2
- Ⓒ ----- Assistant's Microscope
- Ⓓ ----- Oblique Illuminator
- Ⓔ ----- 1/2 TV Attachment
- Ⓕ ----- Beam Splitter(80/20)
- Ⓖ ----- Beam Splitter(50/50)

Specifications

Main microscope

Binocular tube	Parallel 45° inclined binocular tube
Objective lens	F=200mm
Eyepieces	12.5x
Magnification change type	Drum type with 5 changes
Total magnification	3.4x, 5.3x, 8.5x, 13.6x, 21.2x
Field of view	φ 66.3, φ 42.3, φ 26.3, φ 17.1, φ 10.3mm
X-Y Translator (option)	Range: ±25mm

Arm(counter-balanced)

Length	1st arm:400mm; 2nd arm:560mm
Rotational angle	1st arm:360°; 2nd arm:300°

Column base

Base dimension	φ 740mm (30")
----------------	---------------

Power unit

Primary voltage	AC100-120V or AC220-240V
Power frequency	50/60Hz
Maximum power consumption	280VA

Weight

Weight	97kg
--------	------

*Subject to change in design and/or specifications without advanced notice.
In compliance with the terms of the Export Administration Regulation of the United States of America, this product may not be available in some regions or countries.



IMPORTANT

In order to obtain the best results with this instrument, please be sure to review all user instructions prior to operation.



TOPCON CORPORATION



TOPCON CORPORATION



EC9711081



TOPCON CORPORATION

CONNECTING VISIONS 75-1 Hasunuma-cho, Itabashi-ku, Tokyo 174-8580, Japan. Phone:3-3558-2523/2522 Fax:3-3960-4214 www.topcon.co.jp

TOPCON MEDICAL SYSTEMS, INC.

111 Bauer Drive, Oakland, NJ 07436, U.S.A.
Phone:+1-201-599-5100 Fax:+1-201-599-5250 www.topconmedical.com

TOPCON CANADA INC.

110 Provencher Avenue, Boisbriand, QC J7G 1N1 CANADA
Phone:+1-450-430-7771 Fax:+1-450-430-6457 www.topcon.ca

TOPCON EUROPE MEDICAL B.V.

Essebaan 11; 2908 LJ Capelle a/d IJssel; P.O.Box145;
2900 AC Capelle a/d IJssel; THE NETHERLANDS
Phone:+31-(0)10-4585077 Fax:+31-(0)10-4585045
E-mail: medical@topcon.nl; www.topcon.eu

ITALY OFFICE

Viale dell'Industria 60; 20037 Paderno Dugnano; (Milano), ITALY
Phone:+39-02-9186671 Fax:+39-02-91081091 E-mail: topconitaly@tsca.it; www.topcon.it

DANMARK OFFICE

Praestemarksvej 25; 4000 Roskilde, DANMARK
Phone:+45-46-327500 Fax:+45-46-327555
E-mail: topcon@topcondanmark.dk www.topcondanmark.dk

IRELAND OFFICE

Unit 276, Blanchardstown, Corporate Park 2 Ballycoolin Dublin 15, IRELAND
Phone:+353-18975900 Fax:+353-1829915 E-mail: medical@topcon.ie; www.topcon.ie

TOPCON S.A.R.L.

89, rue de Paris 92585 Clichy, FRANCE
Phone:+33-(0)1-41069494 Fax:+33-(0)1-47390251 E-mail:topcon@topcon.fr; www.topcon.fr

TOPCON DEUTSCHLAND G.m.b.H.

Hanns-Martin-Schleyer Strasse 41; D-47877 Willich, GERMANY
Phone:+49-(0)2154-8850 Fax:+49-(0)2154-885177 E-mail: med@topcon.de; www.topcon.de

TOPCON SCANDINAVIA A.B.

Neogatan 2; P.O.Box 25; 43151 Mölndal, SWEDEN
Phone:+46-(0)31-7109200 Fax:+46-(0)31-7109249 E-mail: medical@topcon.se; www.topcon.se

TOPCON ESPAÑA S.A.

HEAD OFFICE
Frederic Mompou 4 Esc. A Bajos 3, 08960 Sant Just Desvern Barcelona, SPAIN
Phone:+34-93-4734057 Fax:+34-93-4733932 E-mail: medica@topcon.es; www.topcon.es

PORTUGAL OFFICE

Rua da Fonte 9-6A, Lda, 222, 2790-072 Carnaxide, PORTUGAL
Phone:+351-210-994626 Fax:+351-210-938786 www.topcon.pt

TOPCON (GREAT BRITAIN) LTD.

Topcon House, Kennet Side, Bone Lane, Newbury, Berkshire RG14 5PX United Kingdom
Phone:+44-(0)1635-551120 Fax:+44-(0)1635-551170 E-mail: medical@topcon.co.uk; www.topcon.co.uk

TOPCON POLSKA Sp. z o. o.

ul. Warszawska 23; 42-470 Siewierz, POLAND
Phone:+48-(0)32-6705045 Fax:+48-(0)32-6713405 www.topcon-polska.pl

TOPCON SINGAPORE MEDICAL PTE. LTD.

60 Alexandra Terrace, #08-27 The Comtech, Singapore 118502
Phone:+65-68720600 Fax:+65-67736150 E-mail: medical_sales@topcon.com.sg; www.topcon.com.sg

TOPCON INSTRUMENTS (MALAYSIA) SDN.BHD.

No. D1, (Ground Floor), Jalan Excella 2, Off Jalan Ampang Putra,
Taman Ampang Hilir, 55100 Kuala Lumpur, MALAYSIA
Phone:+60-(0)3-42709886 Fax:+60-(0)3-42709766

TOPCON INSTRUMENTS (THAILAND) CO.,LTD.

77/162 Sinnsathorn Tower, 37th Floor, Krungthoburi Rd., Klongtong, Bangkok, THAILAND
Phone:+66-(0)2-440-1152-7 Fax:+66-(0)2-440-1158

TOPCON CORPORATION BEIJING OFFICE

Block No.9, Kangding Street Beijing Economic-Technological Development Area,
Beijing, 100176, CHINA
Phone:+86-(0)10-6780-2799 Fax:+86-(0)10-6780-2790

TOPCON CORPORATION SHANGHAI OFFICE

14L Huamin Empire Plaza, No.726, Yan-an Xi Road,
Shanghai, 200050, CHINA
Phone:+86-(0)21-5238-7722 Fax:+86-(0)21-5237-0761

TOPCON CORPORATION BEIRUT OFFICE

P.O.Box 70-1002 Antelias, Beirut, LEBANON
Phone:+961-4-523525/523526 Fax:+961-4-521119

TOPCON CORPORATION DUBAI OFFICE

P.O.Box 293705, Office C-25(row C-2), Dubai Airport Free Zone, Dubai,
United Arab Emirates
Phone:+971-4-299-5900 Fax:+971-4-299-5901